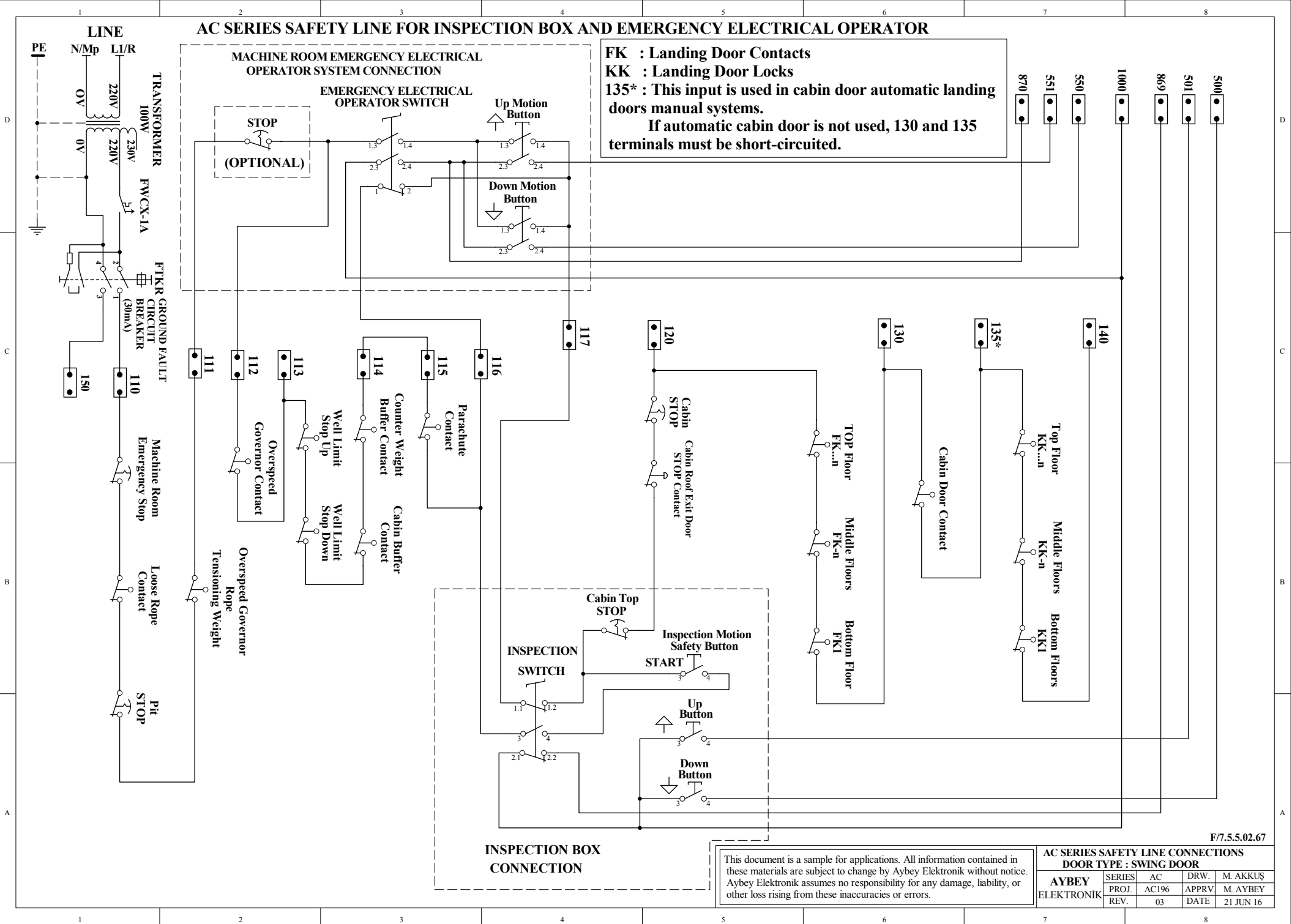


AC SERIES SAFETY LINE FOR INSPECTION BOX AND EMERGENCY ELECTRICAL OPERATOR



FK : Landing Door Contacts
KK : Landing Door Locks
135* : This input is used in cabin door automatic landing doors manual systems.
If automatic cabin door is not used, 130 and 135 terminals must be short-circuited.

INSPECTION BOX CONNECTION

This document is a sample for applications. All information contained in these materials are subject to change by Aybey Elektronik without notice. Aybey Elektronik assumes no responsibility for any damage, liability, or other loss rising from these inaccuracies or errors.

AC SERIES SAFETY LINE CONNECTIONS DOOR TYPE : SWING DOOR				
AYBEY ELEKTRONIK	SERIES	AC	DRW.	M. AKKUŞ
	PROJ.	AC196	APPR.	M. AYBEY
	REV.	03	DATE	21 JUN 16

F/7.5.5.02.67