

SAFETY LINE

PIT STOP

Door Contacts

Landing Door Locks

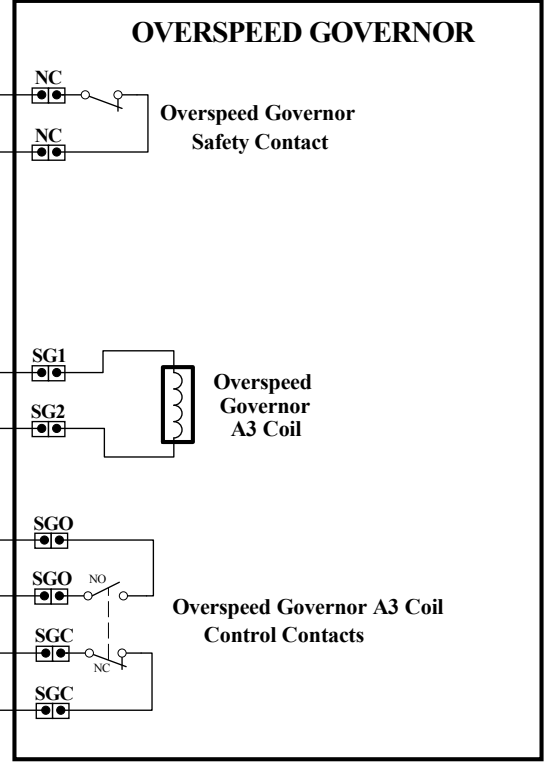
OVERSPEED GOVERNOR A3 CONTROL COIL SUPPLY

*SGO : Overspeed Governor A3 Coil Checking Input
(INPS Board II Input) *SGO

**141 : Contactor Supply

SGO : Programmable Input Code 53

ML1-ML2 : Door Zone Switches



OVERSPEED GOVERNOR

Overspeed Governor Safety Contact

Overspeed Governor A3 Coil

Overspeed Governor A3 Coil Control Contacts

M2-PARAMETERS

P1- MAIN PARAMETERS

A17 : UCM CONTROLLER / 004 (SPEED GOVERNOR-1)

F/7.5.5.02.67

This document is a sample for applications. All information contained in these materials are subject to change by Aybey Elektronik without notice. Aybey Elektronik assumes no responsibility for any damage, liability, or other loss rising from these inaccuracies or errors.

OVERSPEED GOVERNOR (A3 TYPE) CONNECTIONS

| | | | | |
|---------------------|--------|-------|--------|-----------|
| AYBEY ELEKTRONIK | SERIES | AC | DRW. | M. AKKUS |
| | PROJ. | AC192 | APPRV. | M. AYBEY |
| | REV. | 03 | DATE | 15 SEP 14 |