

AYBEY ELEKTRONİK

ALAS+ Lift Announcer System

USER MANUAL

ALAS+ LIFT ANNOUNCER SYSTEM

USER MANUAL

VERSION : 1.0



©**AYBEY ELEKTRONİK SAN. TİC. A.Ş.**

Sanayi Mah. Hızır Reis Cad. No:26 34906 Pendik – İstanbul / Türkiye

Tel: (90) (216) 394 50 55 (pbx) Faks: (90) (216) 394 50 58

e-mail: destek@aybey.com

www.aybey.com

ALAS+ announces various messages to the passengers in the car depending the state and motion of the car. With ALAS+ announce system, passengers in the car can enjoy the travel with music application. While the car is moving, the recorded music is performed via ALAS+. When the state and motion information are announced, music application stops. After the announcement, the music can resume.

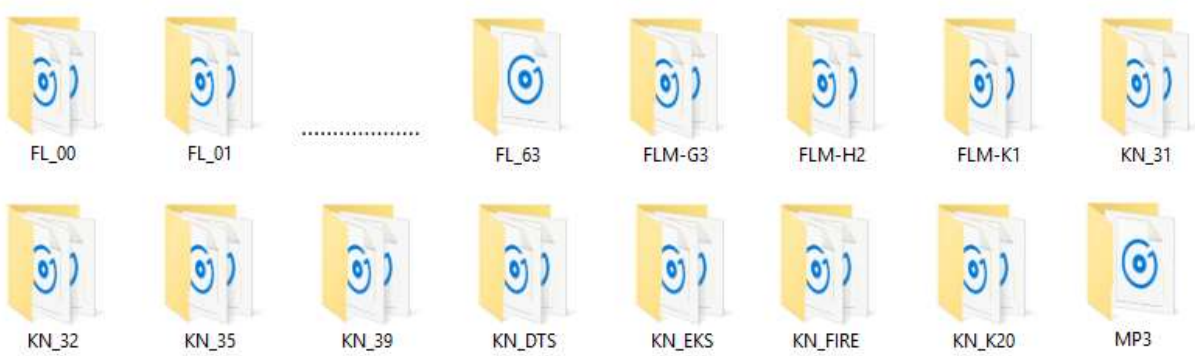
The ALAS+ announce system uses one of the following methods to communicate with the control board: Counter, Gray / Binary Code and Digital communication. ALAS+ announce system can be used with any control panel. This system supports all kind of music file extensions. It also supports from -3.rd floor up to 64th floor.

1. SOUND FILES PREPARATION

Preparation and Loading of Sound Files

Micro SD card is installed to computer or smart phone via a card reader. Figure 1.1 is shown the folders inside SD card. Music and signal waves can be adjusted via loaded these sound files for every floor and situation. Sound files (named FL_00.....FL_63), signal files (named KN), and music files (named MP3) should be saved under those folders.

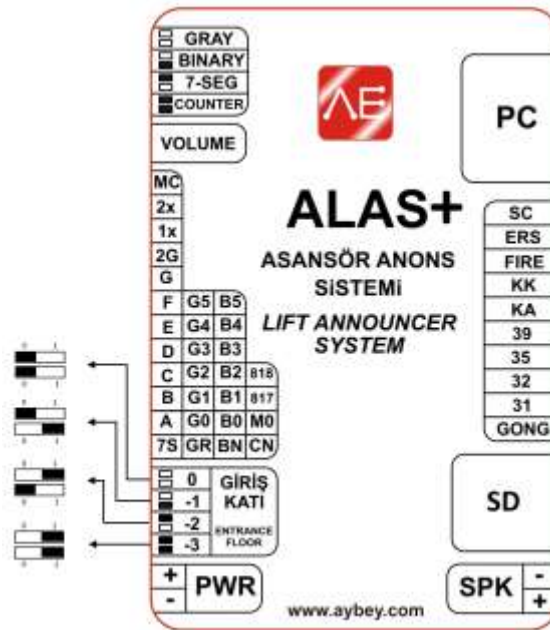
1.1. Sound Files of Floors



-Figure 1.1: The Folders Inside SD Card-

- FL_63 (64th Floor)
- .
- .
- .
- FL_01 (1st Floor)
- FL_00 (Entrance Floor)
- FLM-K1 (-1st Floor)
- FLM-K2 (-2nd Floor)
- FLM-K3 (-3rd Floor)


ALAS+ announce system supports from -3.rd floor up to 64th floor. The dip switch should be set on the ALAS+ announce system as shown in Figure1.2 for floors under the entrance floor.



-Figure 1.2: Dip Switch Setting For Floors Under the Entrance Floor

1.2 .Sorting Sound Files

Sound files can be lined up by writing 1-, 2-, 3- ... numbers per sound files as Figure 1.3. When the car reaches the floor, sound files are performed respectively.

 1-Ding	14.4.2016 13:25	WAV	77 KB
 2-TB-24	14.4.2016 13:22	WAV	107 KB
 3-TB-Floor	14.4.2016 13:26	WAV	35 KB

-Figure 1.3: Sorting Sound Files-

1.3 .Music Files

Music files required to be played while the elevator is moving must be saved to MP3 folder in the SD card.

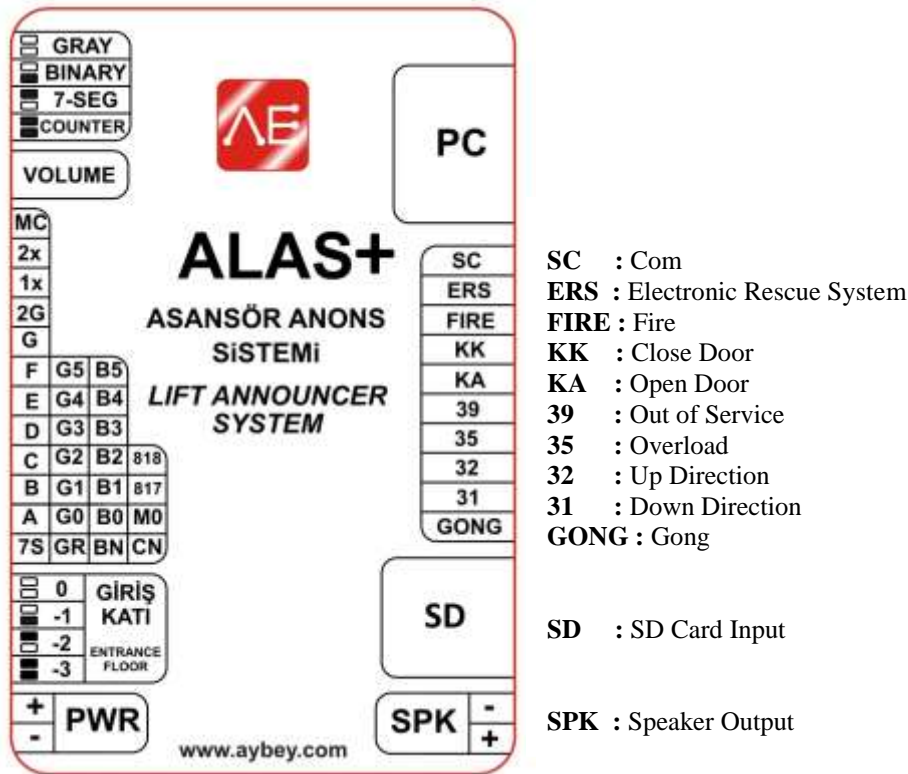
NOTE: If no music file will be saved, the MP3 folder must be deleted!

1.4 .Signal Sound File Settings

In the ALAS+ announce system, the signal sound files should be installed in the following folders.

- * KN-31 (Up Direction Signal)
- * KN-32 (Down Direction Signal)
- * KN-35 (Overload Signal)
- * KN-39 (Out of Service Signal)
- * KN-DTS (Close Door Signal)
- * KN-EKS (Electronic Rescue System Signal)
- * KN-FIRE (Fire Signal)
- * KN-K20 (Open Door Signal)

Signal connections to the ALAS + announce system should be made as shown in Figure 1.4.



-Şekil 1.4 : ALAS+ Announce System Signal Connection-

2. SOUND LEVEL SETTING

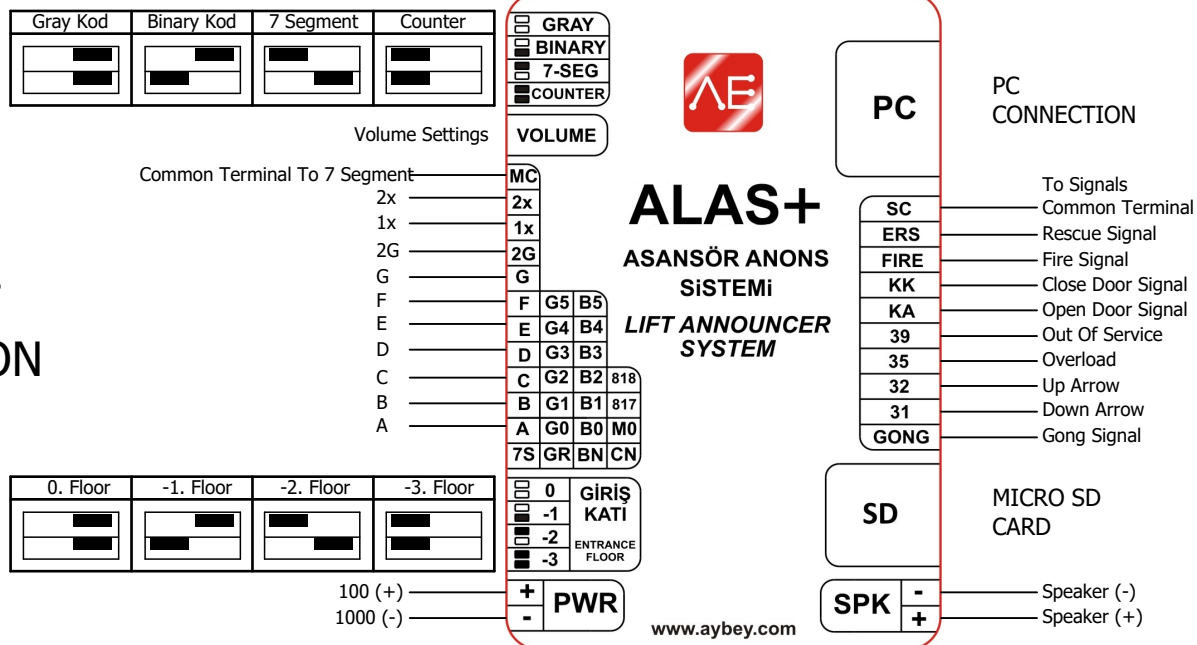
Sound level setting can be adjusted from the **VOLUME** input on the ALAS+ announce system.

3. SPEAKER CONNECTION

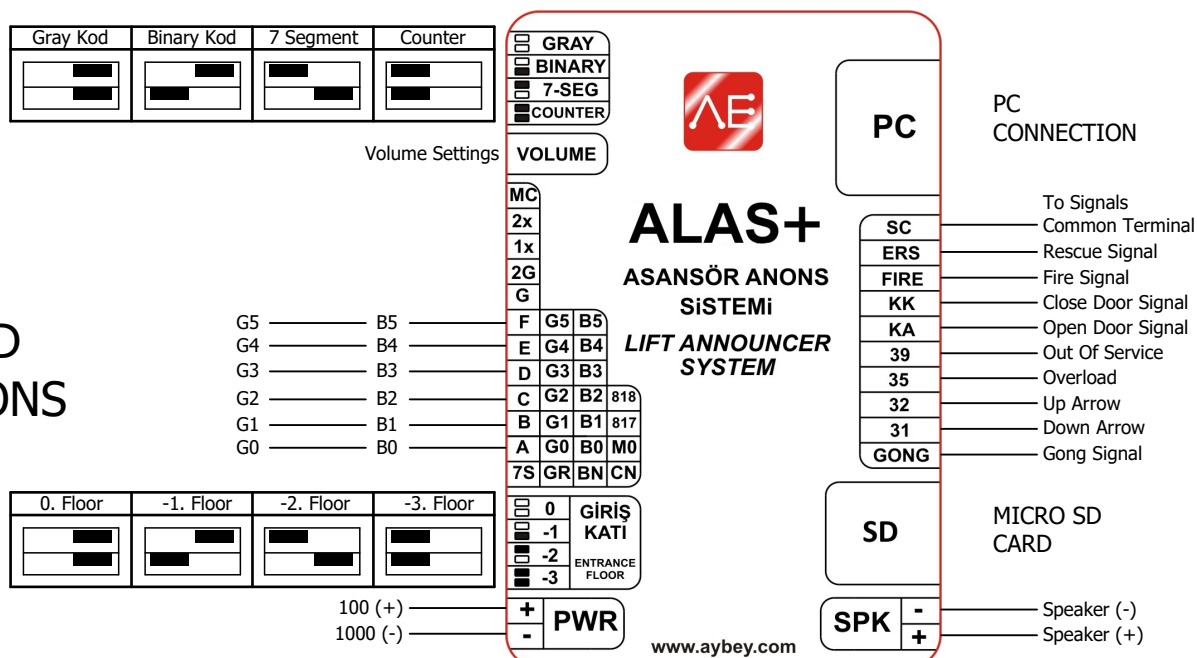
Speaker connection is made from the SPK output on the ALAS+ announcement system.

NOTE: It supports 8Ω, 1W speakers.

7 SEGMENT CONNECTION



GRAY KOD & BINARY KOD CONNECTIONS



COUNTER CONNECTION

