

Section 4-Electrical Connections and the Terminal List

4.1 Motor Driver - Main Connection Diagram

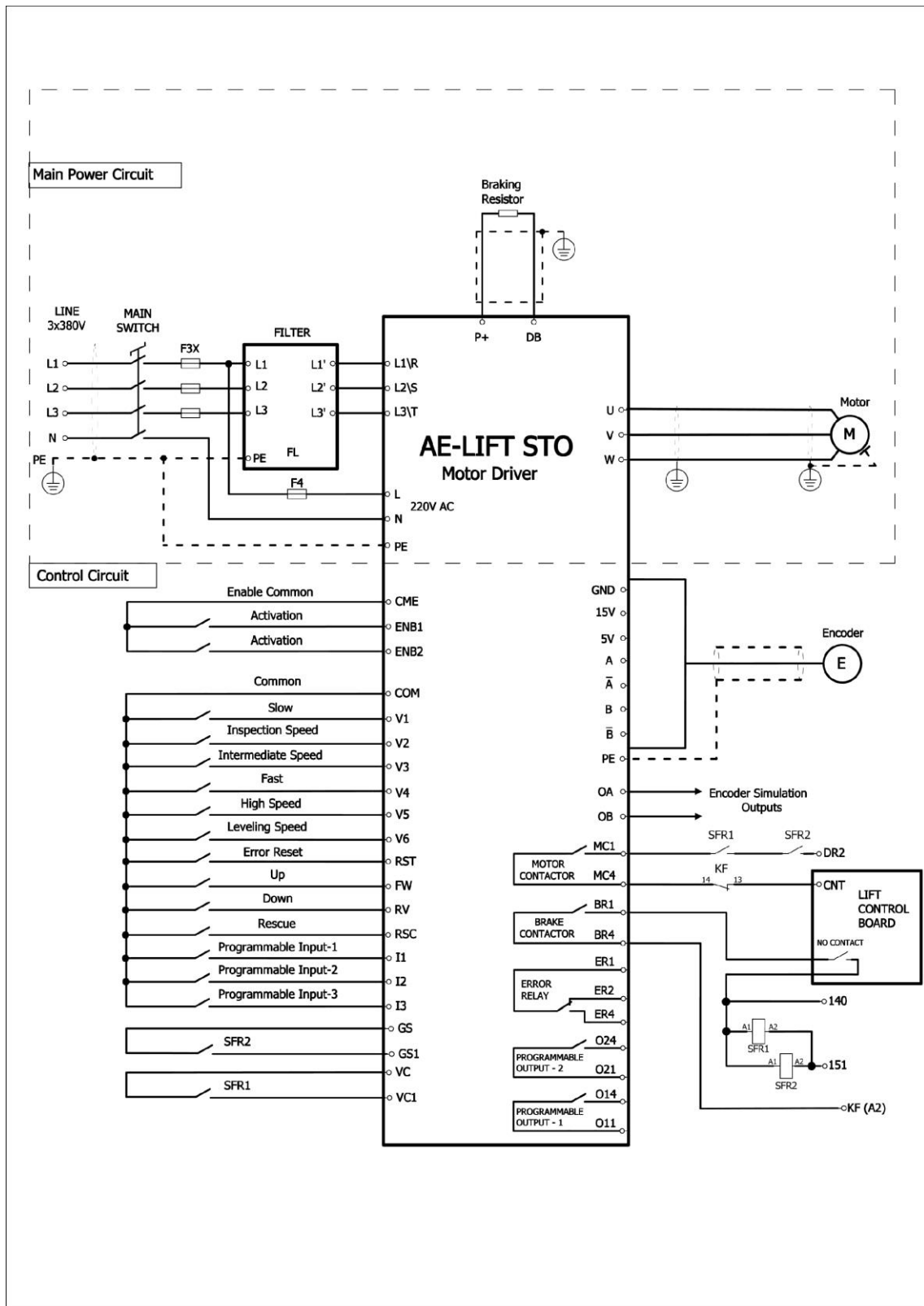


Figure 4.1 AE-LIFT STO Electrical Connections